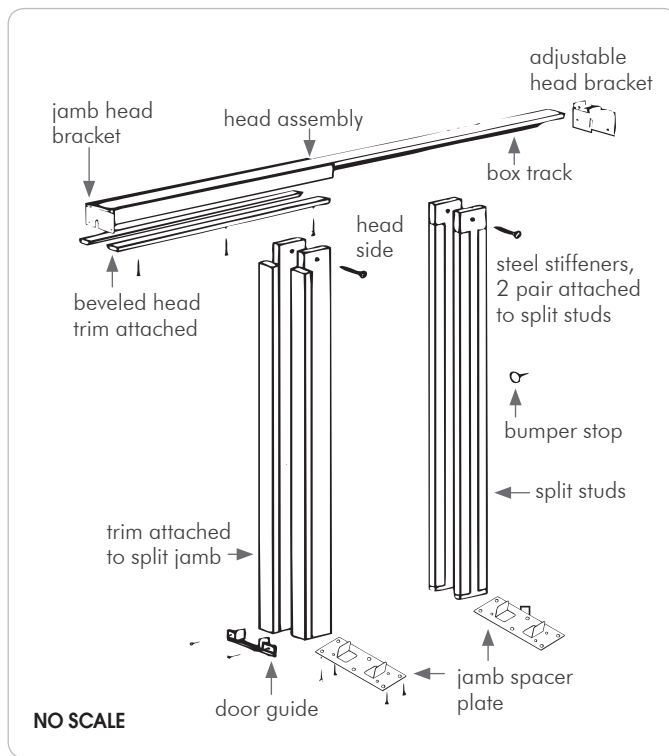


KrisTrack® Pocket In A Box

Complete Pocket Door Frame & Hardware Kit Installation Instructions

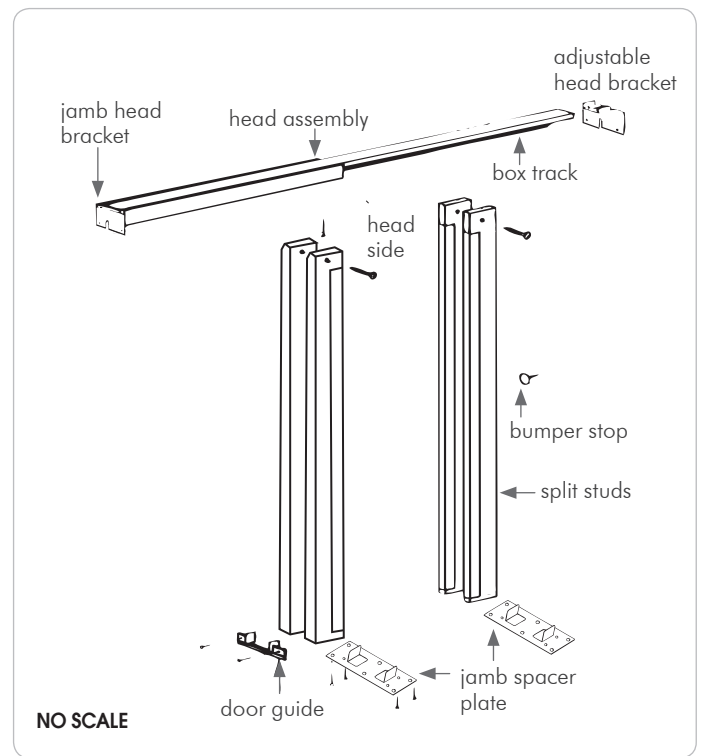
KT1250 Residential Series Pocket in a Box (Deluxe Model)

Maximum door weight: 100 lbs (45 kg) 2 hangers



KT1080 Residential Series Pocket in a Box (Economy Model)

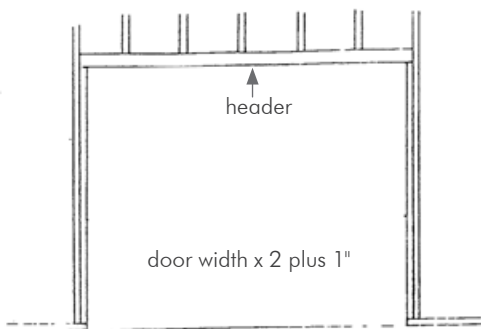
Maximum door weight: 100 lbs (45 kg) 2 hangers



Instructions

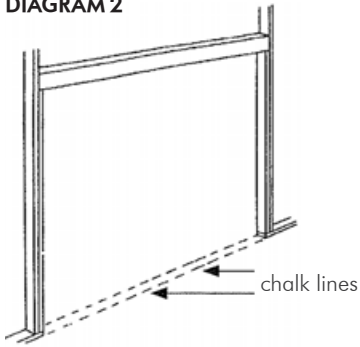
- 1 Rough height opening is 4" more than door height. Rough opening width is twice door width plus 1". See diagram 1.

DIAGRAM 1



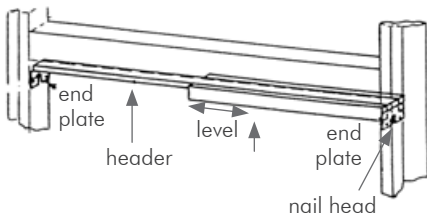
- 2** Snap two chalk lines on the floor evenly with the side studs as shown in diagram 2.

DIAGRAM 2



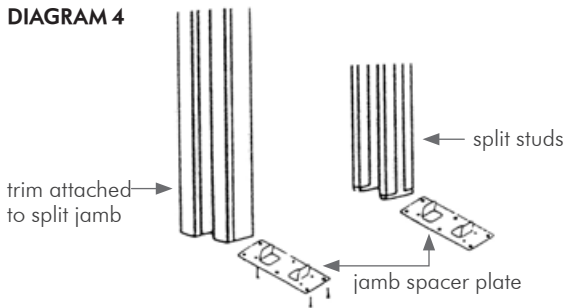
- 3** Attach the header by slipping it between the studs and driving a flat head nail into the slots in the end plates. Leave 1/8" protruding. If header is not snug in opening, use the adjustable end plate to rectify. Plumb header and seat nails inside studs. Do not nail into remaining holes until the entire unit is plumb. See diagram 3.

DIAGRAM 3



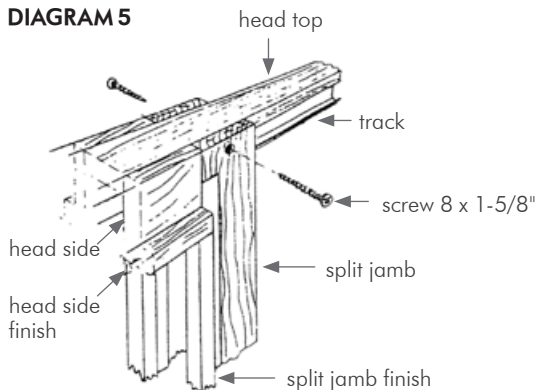
- 4** Nail the jamb spacers using spiral nails to the bottom of split studs and split jambs. See diagram 4.

DIAGRAM 4



- 5** Attach the split jambs to the header with screws. Screw split studs to header half the distance to back wall. See diagram 5 and 6.

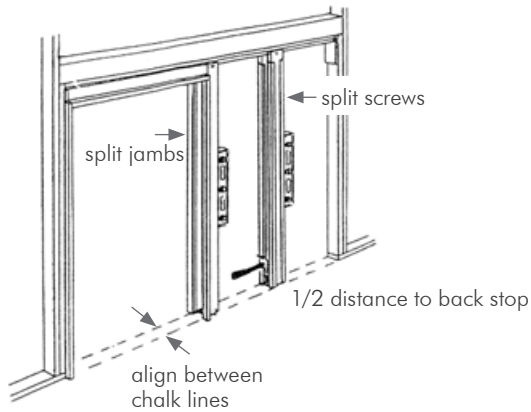
DIAGRAM 5



NO SCALE

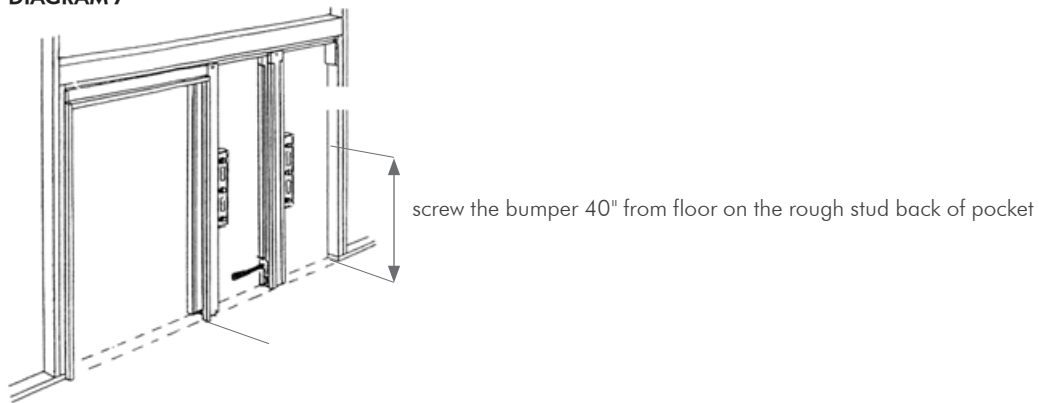
- 6** Plumb split jambs and split studs between chalk lines. Nail the jamb spacers to floor. **NOTE:** on concrete use masonry plugs and screws.

DIAGRAM 6



- 7** Plumb entire unit and drive nails through remaining holes in end plates.

DIAGRAM 7

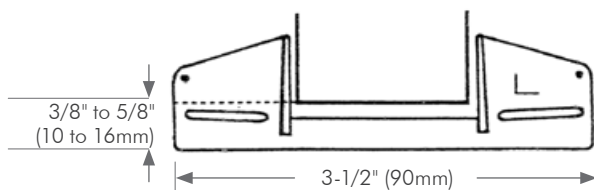


- 8** Insert wheels into track through opening between fixed end plate and track. Follow instructions for mounting door and hardware in hardware package.

- 9** Install finished jamb on latch side after wheels are in place.

- 10** Mount wall covering over the pocket and above the door. Bring wall covering flush to the split jamb and head trim.

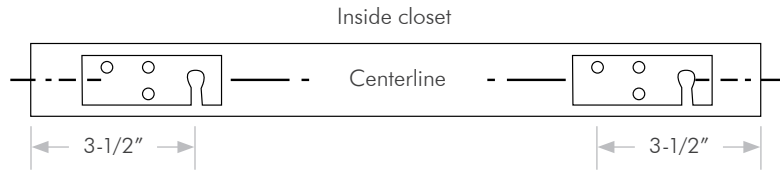
- 11** Screw guide to finished split jambs so door is held in center of pocket without binding.



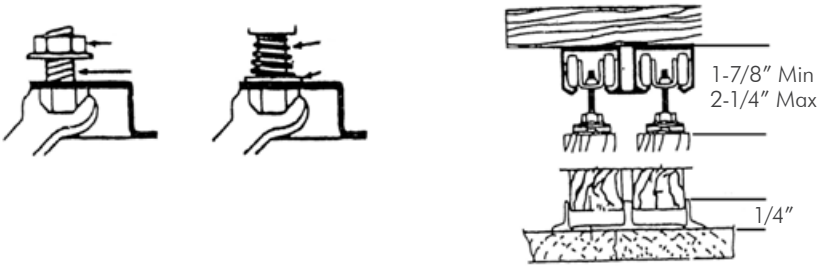
NO SCALE

Pocket Door Installation Instructions

Step 1 Hang door. Mount centerline of door hanger plates on centerline of door as illustrated. Insert hangers into track. Hang door, attaching wall pocket end first, then doorway end. **NOTE:** Some models require 4 screws per bracket.

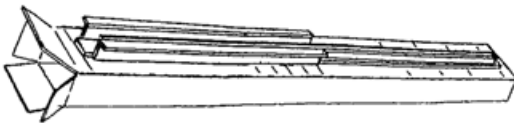


Step 2 Plumb door. Turn adjusting bolt to raise or lower door and align door squarely with the jamb.



Universal Header Cutting Chart

For 3' - 0 doors the header does not need to be modified. For all others, use the outside of the carton to cut the header for the proper door size. Align the end with the nailing strips of the header with the line on the box. Mark and saw through **the nailing strip only** at the corresponding door size, both sides. Finally mark and saw through the header at the corresponding door size.



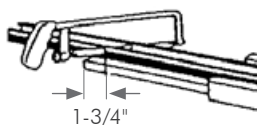
1. Remove adjustable end bracket.



2. Do not cut track. Cut through wood part of header only, on desired door size marking.



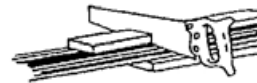
3. Turn header over and cut track 1-3/4" shorter than wood header.



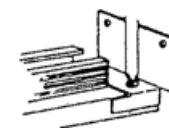
4. Turn header on side and cut head nailer board only at proper mark. Remove cut-off end.



5. Turn header and cut off other side



6. Replace adjustable end. Bracket on new cut end. Header is now ready to install into rough opening.



NO SCALE

Head Office & Manufacturing Centre - Vancouver, Canada

7470 Buller Avenue, Burnaby, B.C. V5J 4S5 Canada • info@theDSgroup.com

Ph: (604) 451-1080 • Fax: (604) 451-1140 • Outside Vancouver, BC use toll free numbers Ph: 1-888-520-9009 Fax: 1-800-567-2887

Branch Offices & Manufacturing Centres

Toronto, Canada & Los Angeles, USA

Eclipse Architectural® Corporate Showrooms

Vancouver & Toronto, Canada • Los Angeles, California & Honolulu, Hawaii USA

THE DS GROUP IS THE BRAND IMAGE OF A.K. DRAFT SEAL LTD.

WWW.TRICONTRUSS.CA