

NOTE: FOR DOOR OPENINGS WITH LESS THAN REQUIRED HEADROOM CONSULT YOUR RETAILER FOR LOW HEADROOM HARDWARE

NOTE: NO. OF SPRING MOUNTING PADS VARY WITH DOOR SIZE, CONSULT YOUR RETAILER FOR DETAILS.

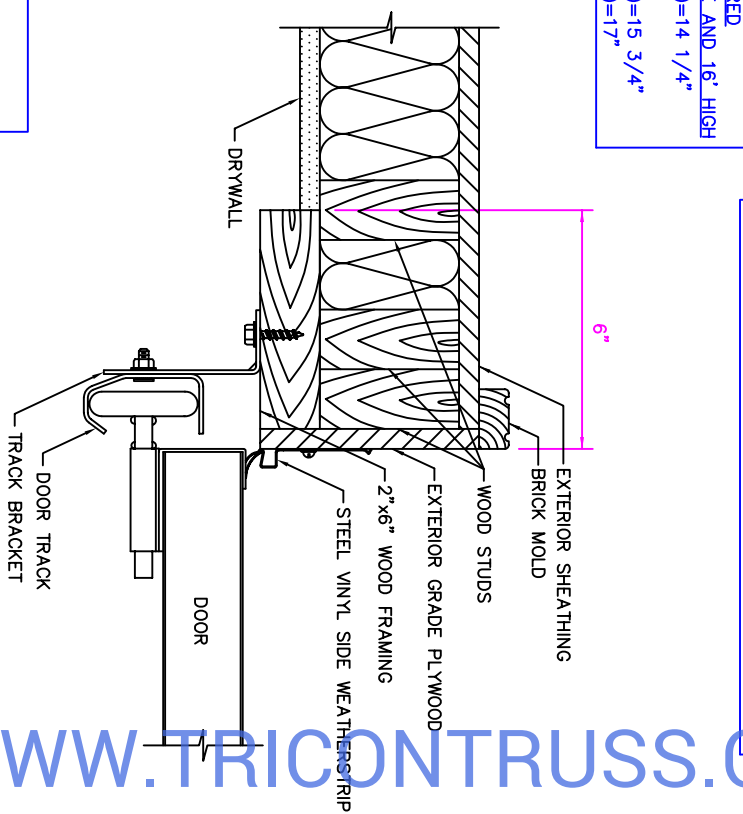
MIN. HEADROOM REQUIRED
 DOORS UP TO 20' WIDE AND 16' HIGH
 2" TRACK (12" RADIUS)=14 1/4"
 (SPECIAL ORDER)
 2" TRACK (15" RADIUS)=15 3/4"
 3" TRACK (15" RADIUS)=17"

INTERIOR ELEVATION
 SCALE: NTS

NOTE:
 - WOOD FRAMING TO BE INSTALLED PLUMB, SQUARE AND SECURELY ANCHORED TO THE BUILDING STRUCTURE.
 - ALL CLEARANCES AS SIDEROOM, HEADROOM AND DEPTH INTO ROOM TO BE UNOBSTRUCTED.

FILE: WFSL.COM

COMMERCIAL WOOD FRAMING DETAILS STANDARD LIFT TRACK



SUGGESTED FRAMING METHOD
 SCALE: NTS